

---

# FLOW-TEK FTG SERIES Manual Gear Operators

NPS 1/4 - 12 | DN 8 - 300 Ball Valves

## OVERVIEW

Flow-Tek's FTG Series Manual Gear Operators were designed to handle the toughest applications and provide years of trouble free service and reliability. The FTG Series gear operators feature a ductile iron housing, aluminum bronze gear segment, and one piece steel worm gear input shaft with tapered roller bearings on both ends. Adjustable travel stops provide precise adjustment in both open and closed positions. Housings are sealed and weather proof to fully isolate internal parts from atmospheric conditions.

## FEATURES AND BENEFITS

- > All models include a corrosion resistant, high visibility valve position indicator.
- > All models are self-locking and hold any position.
- > All FTG series operators are drilled and tapped to ISO 5211 mounting dimensions.

## OPTIONS

- > Locking Device
- > Chain Wheels
- > Horizontal Flag Indicator
- > 2" Square Input Drive Nut
- > Grease Injection Fitting



## SPECIFICATIONS

---

### Output Torque

---

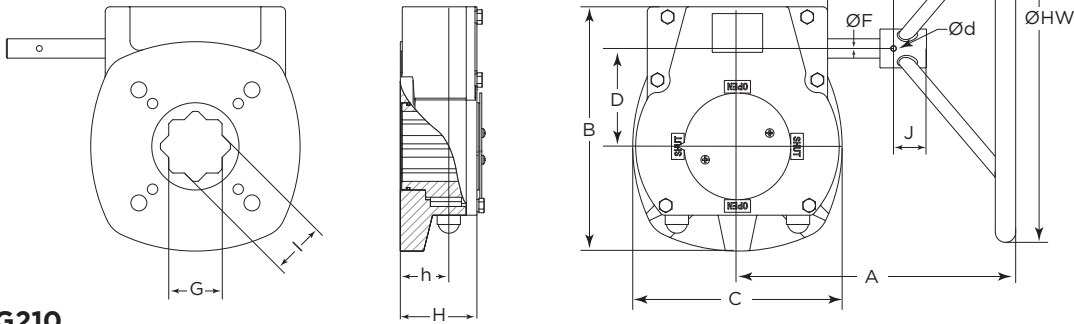
**lbf-in** 4,425 to 70,805

---

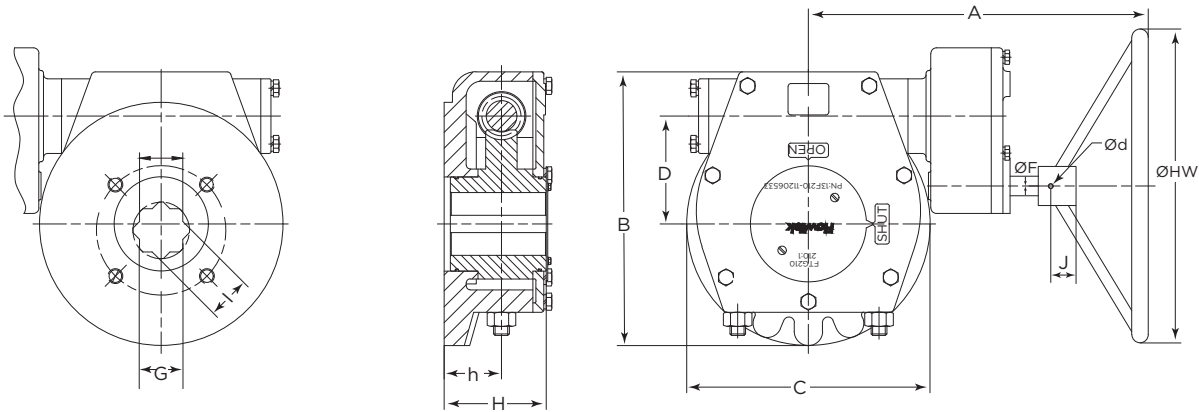
**N m** 500 to 8,000

---

## FTG42L - FTG88



## FTG210



### Dimensions (in)

Model	Ratio	A	B	C	D	Ød	E	ØF	G	H	h	I	J	ØHW	Mounting UNC	ISO Mounting Flange Type	Output Torque lbf-in	Input Torque lbf-in	Weight lbs
FTG42L	42:1	8.58	5.68	4.64	2.06	0.20	4.52	0.59	0.66	2.24	1.39	0.66	1.10	10.25	4 x 5/16" - 18	F07	4425	398	14
FTG42	42:1	8.26	7.16	6.5	2.6	0.23	3.46	0.78	1.06	2.83	1.65	1.06	1.33	11.88 15.75	4 x 5/16" - 18 4 x 1/2" - 13	F07 F12	8850	797	24
FTG60	60:1	10.9	9.09	7.87	3.48	0.23	2.71	0.78	1.81	3.20	1.96	1.81	1.33	15.75 19.69	4 x 1/2" - 13	F12	15931	974	31
FTG70	70:1	11.3	9.92	8.50	3.97	0.23	2.71	0.78	2.16	3.22	1.96	2.16	1.33	15.75 19.69	4 x 1/2" - 13 4 x 3/4" - 10	F12 F16	22127	1151	46
FTG88	88:1	15.0	13.93	12.40	6.02	0.23	4.56	1.18	2.16	3.77	2.08	2.16	1.33	19.69 23.63	4 x 3/4" - 10	F16	38943	1496	97
FTG210	210:1	17.0	13.75	12.20	5.42	0.32	N/A	0.98	2.16	5.12	2.87	2.16	1.33	15.75 19.69	4 x 3/4" - 10	F16	70805	1593	145

### Dimensions (mm)

Model	Ratio	A	B	C	D	Ød	E	ØF	G	H	h	I	J	ØHW	Mounting UNC	ISO Mounting Flange Type	Output Torque N m	Input Torque N m	Weight kgs
FTG42L	42:1	218	144.5	118	52.5	5.0	115	15	17	57	35.5	17	28	260	4 x 5/16" - 18	F07	500	45	6
FTG42	42:1	210	182	165	66	6.0	88	20	27	72	42	27	34	300 400	4 x 5/16" - 18 4 x 1/2" - 13	F07 F12	1000	90	11
FTG60	60:1	277	231	200	88.5	6.0	69	20	46	81.5	50	46	34	400 500	4 x 1/2" - 13	F12	1800	110	14
FTG70	70:1	287	252	216	101	6.0	69	20	55	82	50	55	34	400 500	4 x 1/2" - 13 4 x 3/4" - 10	F12 F16	2500	130	21
FTG88	88:1	382	354	315	153	6.0	116	30	55	96	53	55	34	500 600	4 x 3/4" - 10	F16	4400	169	44
FTG210	210:1	433	349	310	137.5	8.0	N/A	25	55	130	73	55	34	400 500	4 x 3/4" - 10	F16	8000	180	66



**Jamieson Equipment Co.**  
 5314 Palmero Court | Buford, GA 30518  
 678.745.3020 | 800.875.0280 (Toll Free)  
[www.jamiesonequipment.com](http://www.jamiesonequipment.com)  
[sales@jamiesonequipment.com](mailto:sales@jamiesonequipment.com)

All statements, technical information, and recommendations in this bulletin are for general use only. Consult Flow-Tek representatives or factory for the specific requirements and material selection for your intended application. The right to change or modify product design or product without prior notice is reserved.

Flow-Tek® is a registered trademark of Bray International, Inc.

© 2022 Bray International, Inc. All rights reserved.

EN\_FT\_F-2804\_FTG\_20220620